

Snowball™

Water Effect:

Creates a hemisphere of water droplets.

Performance Characteristics:

The Snowball™ is a water level independent effect that is subject to wind. A wind control device is recommended.

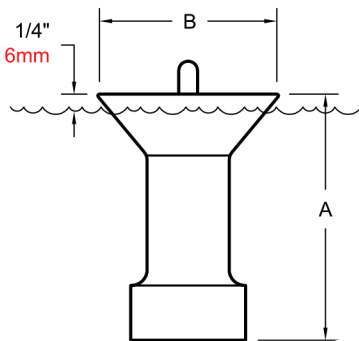
- Water Level Dependent - No
- Wind Resistance - Fair to Good
- Sound Level - High
- Clogging Potential - Low
- Splash Radius - 2.0

Material: Machined brass and cast bronze
Finish: Natural brass and bronze



Detail:

Model Number	Feet Meters	2 .61	3 .91	4 1.22	5 1.52	6 1.83	7 2.13	8 2.44
NS-150	GPM (LPM)	73 (947)	80 (1,420)	100 (1,931)	115 (947)	120 (947)		
	Head Ft. (Bar)	4 (.120)	6 (.179)	9 (.269)	11 (.329)	13 (.389)		
	Spread Ft. (M)	4 (1.22)	6 (1.83)	8 (2.44)	10 (3.05)	12 (3.66)		
NS-200	GPM (LPM)		105 (398)	115 (436)	125 (474)	140 (530)	150 (568)	160 (606)
	Head Ft. (Bar)		9 (.269)	11 (.329)	13 (.389)	15 (.448)	17 (.508)	19 (.568)
	Spread Ft. (M)		7 (2.13)	9 (2.74)	11 (3.35)	14 (4.27)	15 (4.57)	16 (4.88)



Model Number	Dimensions		
	NPT	Inches (mm)	
		A	B
NS-150	1½"	4½ (114)	3½ (86)
NS-200	2"	6 (152)	4¼ (105)



WINAM CONSTRUCTION CORP

www.winamgroup.com
info@winamgroup.com

Highlighted sections indicate optimum performance

Catalog #	
Details	
Project	
Prepared by	
Date	