

R-85B

Adjustable Eyeball Inlet Fitting

Product Description:

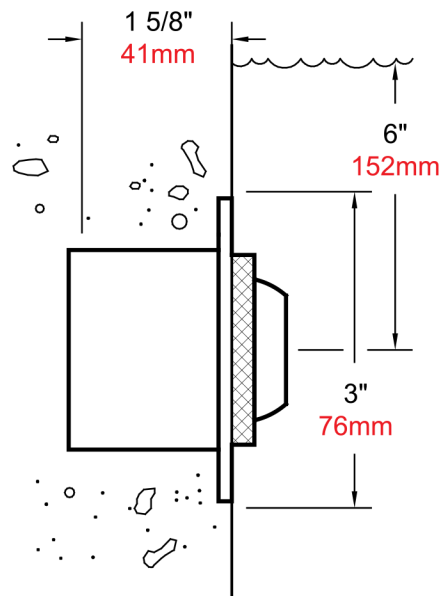
Designed to direct debris to skimmers and improve water circulation. Cast bronze with natural finish. Ground screw.



Data:

| Model Number | NPT | Minimum Flow Rate | | Maximum Flow Rate | |
|--------------|-----|-------------------|-----|-------------------|-----|
| | | GPM | LPM | GPM | LPM |
| R-85B | 1½" | 10 | 38 | 30 | 114 |

Dimensions:



WINAM CONSTRUCTION CORP

www.winamgroup.com
info@winamgroup.com

| | |
|-------------|--|
| Catalog # | |
| Details | |
| Project | |
| Prepared by | |
| Date | |