

# R-83G

## Suction Sump with Grate

### Product Description:

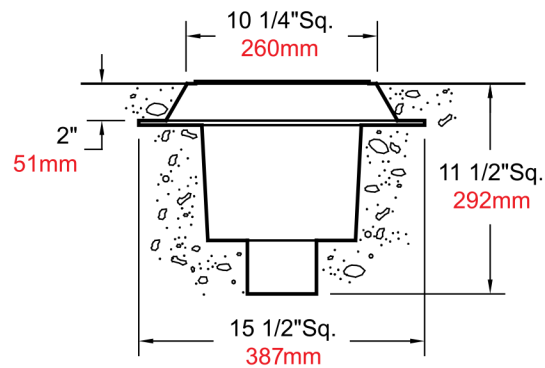
Cast bronze plate with natural finish. Heavy-duty FRP sump with integral waterstop. Heavy-duty FRP grate with safety clip and latch. Standard inlet is PVC pipe. Add suffix -FL for flanged connection including neoprene flange gasket and stainless steel fasteners. Maximum flow rates are based on 16"/41cm water depth.



### Data:

Model Number	Inlet (PVC Pipe)	Suction GPM	Suction LPM
R-83-3G	3"	50	189
R-83-4G	4"	80	303

### Dimensions:



**WINAM CONSTRUCTION CORP**

www.winamgroup.com  
info@winamgroup.com

Catalog #	
Details	
Project	
Prepared by	
Date	