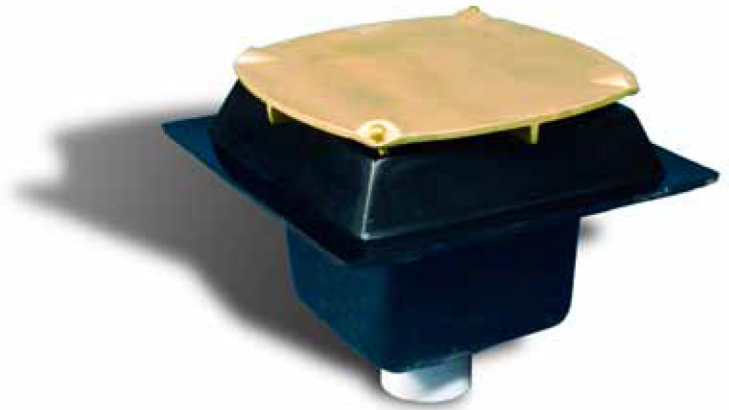


# R-83

## Anti-Vortex/Diverter Plate and Sump

### Product Description:

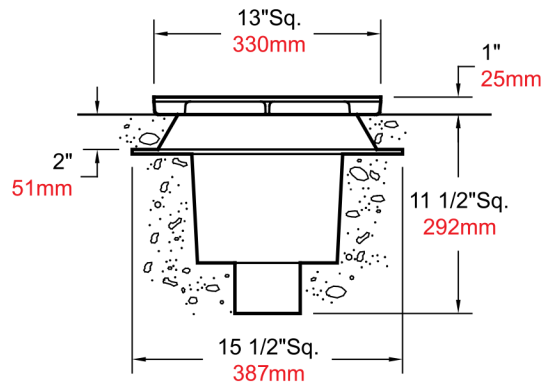
Cast bronze plate with natural finish. Heavy-duty FRP sump with integral waterstop. Standard inlet is PVC pipe. Add suffix -FL for flanged connection including neoprene flange gasket and stainless steel fasteners. Maximum flow rates are based on 16"/41cm water depth. A 4" shallow sump is available. Add suffix -S to catalog number. Contact design@fountainpeople.com for flow data for your application.



### Data:

Model Number	Inlet (PVC Pipe)	Suction GPM	Discharge GPM	Suction LPM	Discharge LPM
R-83-3	3"	120	180	454	681
R-83-4	4"	200	300	757	1,136

### Dimensions:



**WINAM CONSTRUCTION CORP**

www.winamgroup.com  
info@winamgroup.com

Catalog #	
Details	
Project	
Prepared by	
Date	