

# R-80C

## Anti-Vortex/Diverter Plate and Sump

### Product Description:

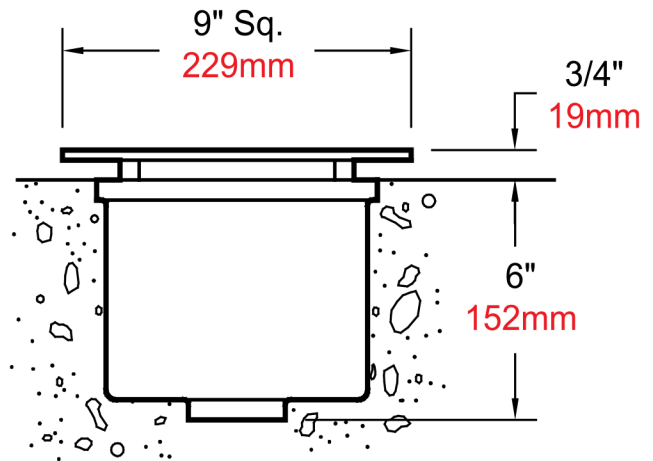
The R-80C fitting is a cast bronze plate with a natural finish and stainless steel fasteners. Heavy-duty spun copper sump with ground screw and bronze 2" FPT threaded bottom connection. Maximum flow rates are based on 16"/41cm water depth.



### Data:

Model Number	NPT	Suction GPM	Discharge GPM	Suction LPM	Discharge LPM
R-80C	2"	60	80	227	303

### Dimensions:



**WINAM CONSTRUCTION CORP**

www.winamgroup.com  
info@winamgroup.com

Catalog #	
Details	
Project	
Prepared by	
Date	