

R-50 / R-51

Mechanical Float Valve with Niche

R-50 Product Description:

Brass valve with a plastic float. 3/4" threaded connection. Valve allows for minor adjustment in water level. Niche and face plate are white acrylic. For optional brass face plate, add suffix -B to catalog number. Maximum flow rate is 15 GPM; 57 LPM.



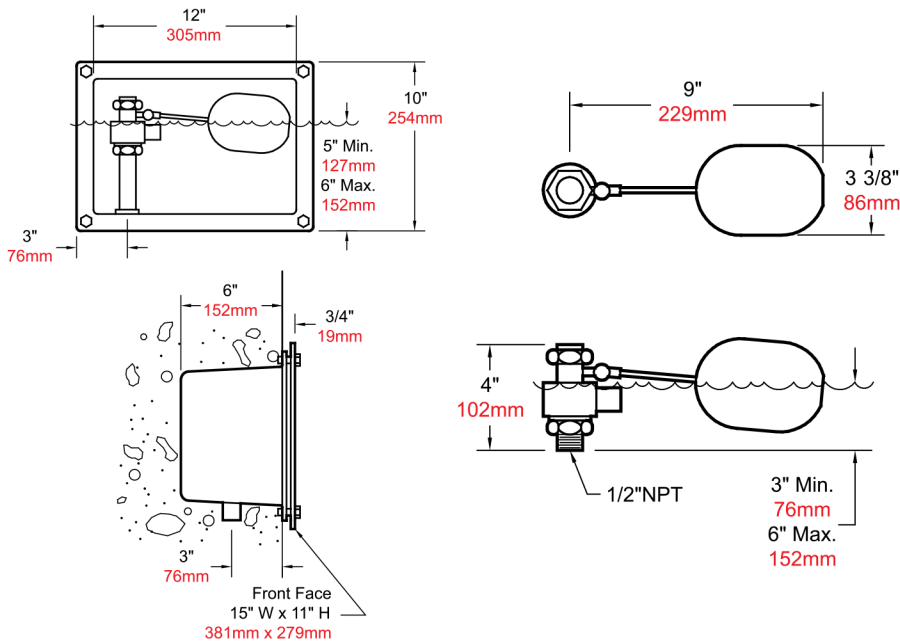
Mechanical Float Valve

R-51 Product Description:

Brass valve with a plastic float. 1/2" threaded connection. Valve allows for minor adjustment in water level. Maximum flow rate is 15 GPM; 57 LPM.



Dimensions:



WINAM CONSTRUCTION CORP

www.winamgroup.com
info@winamgroup.com

Catalog #	
Details	
Project	
Prepared by	
Date	