

# R-30B

## Front Access Skimmer

### Product Description:

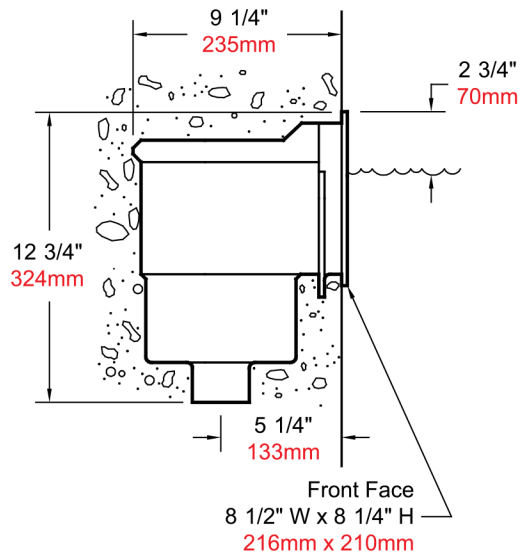
Heavy-duty Cylolac® construction. Floating weir, removable trash basket, and throttling plate. Cast bronze face plate with natural finish.



### Data:

Model Number	Sip Fit	Minimum Flow Rate		Maximum Flow Rate	
		GPM	LPM	GPM	LPM
R-30B	1½"	10	38	30	114

### Dimensions:



**WINAM CONSTRUCTION CORP**

www.winamgroup.com  
info@winamgroup.com

Catalog #	
Details	
Project	
Prepared by	
Date	