

Mushroom Jet in a Can™

The Mushroom Jet forms a clear, inverted cone-shaped sheet of water.

Construction:

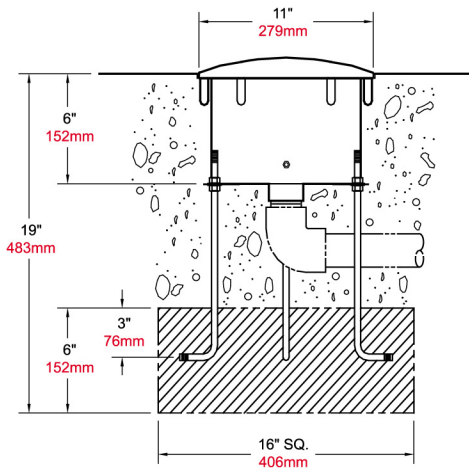
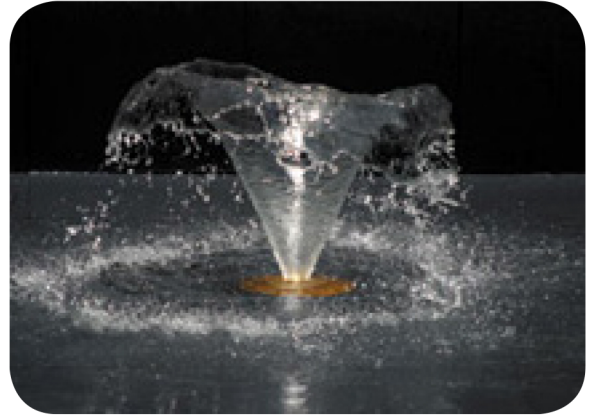
Single piece, type 304 deep-drawn stainless steel housing with a 1½" FPT inlet and grounding connection, cast bronze top cover, EPDM 70 durometer o-ring, and 18/8 stainless steel fasteners. Unit is supplied with a high density polyethylene (HDPE) construction cover, three 3/8" x 12" x 2" stainless steel anchor bolts with leveling nuts and washers, and a wood template.

Nozzle:

Precision machined brass, cast bronze, or copper.

Finish:

Standard finish is Natural Bronze. Optional finishes - Dark Bronze (DB), or Verde Green (VG). Contact factory for custom finishes.



Data:

Model Number	Top Diameter	Inlet FPT	Feet Meters	1 .30	1.5 .46	2 .61	2.5 .76	3 .91
FIC-M1100	11" (279 mm)	1½"	GPM (LPM)	25 (95)	28 (106)	30 (114)	33 (125)	35 (133)
			Head Ft. (Bar)	6 (.18)	6.5 (.19)	7 (.21)	7.5 (.22)	8 (.24)
			Spread Ft. (m)	3 (.91)	4.5 (1.37)	6 (1.83)	7.5 (2.29)	9 (2.74)



WINAM CONSTRUCTION CORP

www.winamgroup.com

info@winamgroup.com

Catalog #

Details

Project

Prepared by

Date