

LP-250-()

Low Profile Underwater Freestanding 250 Watts, 130 Volts

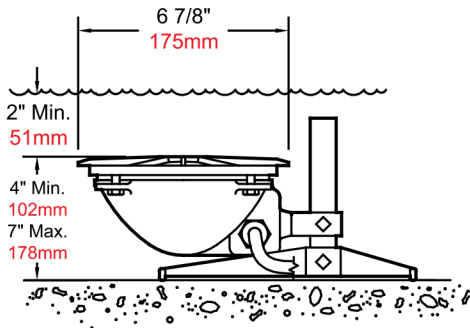
Product Description:

The LP Series 130 Volt fixture is a cast bronze Underwater Light designed for low energy consumption up to 250 Watts for underwater application. This Freestanding low profile light offers 90 degrees of angular adjustment on a 360 degree axis, making it ideally suited for fountains, and streams.



Detail:

Model Number	Beam Spread	UL Max. Wattage Rating	Lamp Type	Watts	Volts	Lamp Life (Hours)
LP-250-S	Spot	250	T4	250	130	2000
LP-250-M	Medium	250		250	130	2000
LP-250-F	Flood	250		250	130	2000



Specification:

Fixture Body:	Cast bronze with brass cord compression seal.
Rock Guard:	Cast bronze, integral to face ring.
Yoke/Base	Cast bronze with red brass riser. 90° angular adjustment on a 360° axis.
Reflector	Anodized spun aluminum, polished or etched to produce spot, medium, or flood distribution.
Cord:	Furnished with ten feet of 16-3 Type STOW submersible cord; entry is totally encapsulated in an epoxy compound.
Socket:	High temperature, mini-can screw base.
Gaskets:	High temperature, single piece, molded silicone rubber.
Lens:	Clear, flat, high temperature tempered glass.
Lamp:	Per chart. Supplied separately, add suffix -LP to catalog number to include lamp.
Safety:	Underwriters Laboratories Listed for underwater application. Supplied with an integral thermal cutoff device.
Optional:	Colored lenses - red, blue, green, amber, and turquoise available.



WINAM CONSTRUCTION CORP

www.winamgroup.com
info@winamgroup.com

Catalog #	
Details	
Project	
Prepared by	
Date	