

# LNP-( )-ML(X)

Underwater/Submersible Freestanding  
20-75 Watts, 12 Volts

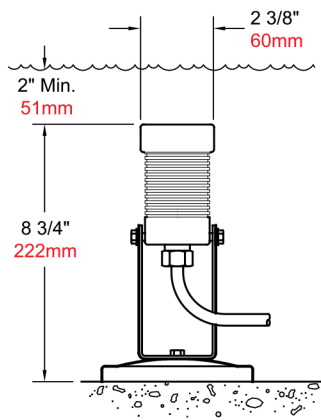
## Product Description:

The LNP Series Low Voltage light is a precision machined brass Low Profile Underwater Light designed for up to 75 Watts in a Wet/Dry environment or underwater application. This Freestanding light offers 90 degrees of angular adjustment on a 360 degree axis making it ideally suited for fountains, streams, and landscape lighting applications.



## Detail:

Model Number	UL Max. Wattage Rating	Lamp Type	Watts	Volts	Lamp Life (Hours)
LNP-20-MLX	20	MR16	20	12	4000
LNP-35-MLX	35		35	12	4000
LNP-50-MLX	50		50	12	4000
LNP-75-ML	75		75	12	4000



## Specification:

Fixture Body:	Cast bronze with brass cord compression seal.
Yoke/Base	Cast bronze with red brass riser. 90° angular adjustment on a 360° axis.
Cord:	Furnished with ten feet of 16-3 Type STOW submersible cord.
Socket:	Bi-pin mount.
Gaskets:	High temperature, Viton® O-ring.
Lens:	Clear, flat, high temperature tempered glass.
Lamp:	Per chart. Supplied separately, add suffix -LP to catalog number to include lamp.
Safety:	Units through 50 watt size are Underwriters Laboratories Listed for both underwater and dry operation. 75 watt unit UL Listed for underwater application only.
Optional:	For stainless steel rock guard add suffix -RG to catalog number.
Optional:	Dichroic colored lenses - red, blue, green, amber, and turquoise available. Contact factory for custom colors.



**WINAM CONSTRUCTION CORP**

www.winamgroup.com  
info@winamgroup.com

Catalog #	
Details	
Project	
Prepared by	
Date	