

LLP-()BA

Underwater Freestanding

100-500 Watts, 120 Volts

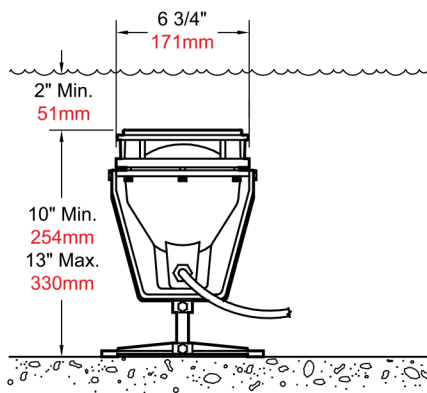
Product Description:

The LLP Series 120 Volt fixture is a cast bronze light designed for energy consumption up to 500 Watts. This freestanding light is UL listed for underwater applications, and offers 90 degrees of angular adjustment on a 360 degree axis, making it ideally suited for fountains, streams, and landscape lighting applications.



Detail:

Model Number	UL Max. Wattage Rating	Lamp Type	Watts	Volts	Lamp Life (Hours)
LLP-100PHBA	100	PAR38	100	120	3000
LLP-116HBA	116	A21	116	120	8000
LLP-150PHBA	150	PAR38	150	130	5000
LLP-250HBA	250	T4	250	130	2000
LLP-250PHBA	250	PAR38	250	130	4000
LLP-500HBA	500	T4	500	130	2000



Specification:

Fixture Body:	Cast bronze with brass cord compression seal.
Rock Guard:	Cast bronze, elevated for ease of maintenance.
Yoke/Base	Cast bronze with red brass riser. 90° angular adjustment on a 360° axis.
Reflector:	Spun, polished stainless steel (not supplied with PAR38 versions).
Cord:	Furnished with ten feet of 16-3 Type STOW submersible cord; entry is totally encapsulated in an epoxy compound.
Socket:	High temperature, mini-can screw base or porcelain medium screw base.
Gaskets:	High temperature, single piece, molded silicone rubber.
Lens:	Clear, convex, high temperature tempered glass.
Lamp:	Per chart. Supplied separately, add suffix -LP to catalog number to include lamp.
Safety:	Underwriters Laboratories Listed for underwater application. Supplied with an integral thermal cutoff device.
Optional:	Colored lenses - red, blue, green, amber, and turquoise available.



WINAM CONSTRUCTION CORP

www.winamgroup.com

info@winamgroup.com

Catalog #

Details

Project

Prepared by

Date

V1.3