

# LLN-A

## Adjustable Underwater Wet Niche

100-500 Watts, 120 Volts | 100 Watts, 12 Volts

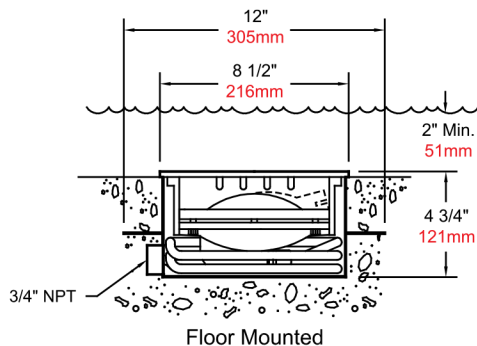
### Product Description:

The LLN Series 120 Volt & 12 Volt fixtures are cast bronze lights designed for energy consumption up to 500 Watts. These Wet Niche lights are UL listed for underwater applications, and offers 15 degrees of angular adjustment on a 360 degree axis, making them ideally suited for fountains, and streams.



### Detail:

Model Number	UL Max. Wattage Rating	Lamp Type	Watts	Volts	Lamp Life (Hours)
LLN-100LA	100	T4	100	12	1000
LLN-100HA	100		100	130	2000
LLN-150HA	150		150	130	2000
LLN-250HA	250		250	130	2000
LLN-500HA	500		500	130	2000



### Specification:

Fixture Body:	Cast bronze with brass cord compression seal.
Rock Guard:	Cast bronze, elevated for ease of maintenance.
Wet Niche:	Cast bronze with red brass riser. 90° angular adjustment on a 360° axis.
Reflector:	Spun, polished stainless steel (not supplied with PAR38 versions).
Cord:	Furnished with ten feet of 16-3 Type STOW submersible cord; entry is totally encapsulated in an epoxy compound.
Socket:	High temperature, mini-can screw base or porcelain medium screw base.
Gaskets:	Per chart. Supplied separately, add suffix -LP to catalog number to include lamp.
Lens:	High temperature, single piece, molded silicone rubber.
Lamp:	Clear, convex, high temperature tempered glass.
Safety:	Underwriters Laboratories Listed for underwater application. Supplied with an integral thermal cutoff device.
Optional:	Colored lenses - red, blue, green, amber, and turquoise available.



**WINAM CONSTRUCTION CORP**

www.winamgroup.com

info@winamgroup.com

Catalog #	
Details	
Project	
Prepared by	
Date	