

# JP-55-3/4

## Deck Mounted Junction Box

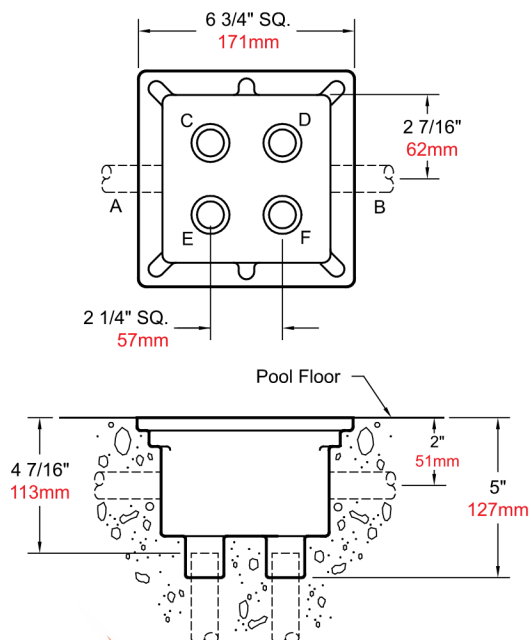


### Detail:

### Specification:

Model Number	A	B	C	D	E	F
JP-55-3	1/2" (3/4")	1/2" (3/4")	1/2"	1/2"	1/2"	1/2"
LLP-116HBA	3/4" (1")	3/4" (1")	3/4"	3/4"	3/4"	3/4"

Construction:	Cast bronze with stainless steel fasteners.
Grounding:	Internal ground lug for each fixture.
Gasket:	Black neoprene rubber.
Strain Relief:	Factory installed, machined brass, compression type, for 16-3 or 10-3 Type STOW cord.
Safety:	Underwater Laboratories Listed for underwater and dry applications.



**WINAM CONSTRUCTION CORP**

www.winamgroup.com

info@winamgroup.com

Catalog #	
Details	
Project	
Prepared by	
Date	