

Hollow-Bore

Water Effect:

The Hollow-Bore creates a frothy aerated stream of water.

Performance Characteristics:

The Hollow-Bore is a water level independent effect. To avoid clogging of the nozzle orifices an in-line Y-strainer with a #20 mesh is recommended. (Add suffix -L to catalog number for unit less swivel.)

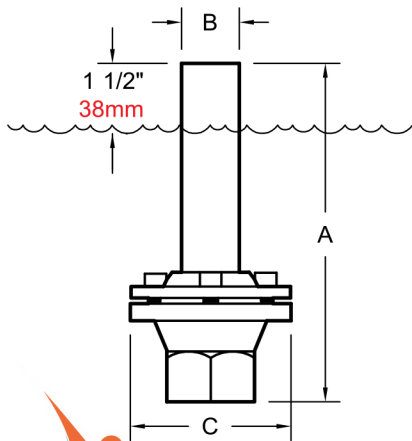
- Water Level Dependent - No
- Wind Resistance - Good
- Sound Level - Moderate
- Clogging Potential - Moderate
- Splash Radius - 1.0

Material: Machined brass and cast bronze
Finish: Natural brass and bronze



Detail:

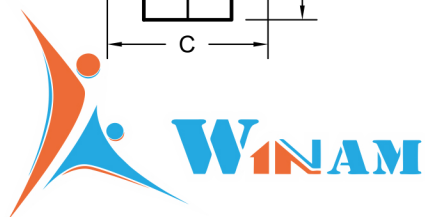
Model Number	Feet Meters	4 1.22	6 1.83	8 2.44	10 3.05	12 3.66	15 4.57	20 6.10	30 9.14	50 15.2
EAA-100AX	GPM (LPM)	9 (35)	11 (42)	13 (50)						
	Head Ft. (Bar)	10 (.299)	15 (.448)	20 (.598)						
EAA-150AX	GPM (LPM)	18 (69)	22 (84)	25 (95)	30 (114)	39 (148)				
	Head Ft. (Bar)	9 (.269)	13 (.389)	17 (.508)	23 (.688)	28 (.837)				
EAA-200AX	GPM (LPM)	30 (114)	36 (137)	42 (159)	47 (178)	54 (205)	61 (231)	69 (262)		
	Head Ft. (Bar)	5 (.150)	9 (.269)	12 (.359)	16 (.478)	20 (.598)	24 (.717)	34 (1.02)		
EAA-300AX	GPM (LPM)		81 (307)	94 (356)	105 (398)	116 (440)	126 (477)	149 (565)	182 (689)	240 (909)
	Head Ft. (Bar)		9 (.269)	11 (.329)	14 (.419)	17 (.508)	21 (.628)	28 (.837)	43 (1.29)	82 (2.45)



Dimensions

Model Number	NPT	Inches (mm)		
		A	B	C
EAA-100AX	1"	7½ (191)	1 (25)	2¾ (70)
EAA-150AX	1½"	9 (229)	1½ (38)	3¾ (92)
EAA-200AX	2"	10 (254)	2 (51)	4½ (114)
EAA-300AX	3"	12½ (318)	3 (76)	6¼ (156)

Highlighted sections indicate optimum performance



WINAM CONSTRUCTION CORP

www.winamgroup.com
info@winamgroup.com

Catalog #	
Details	
Project	
Prepared by	
Date	