

# Foam Jet

## Water Effect:

The Foam Jet creates a foamy stream of water.

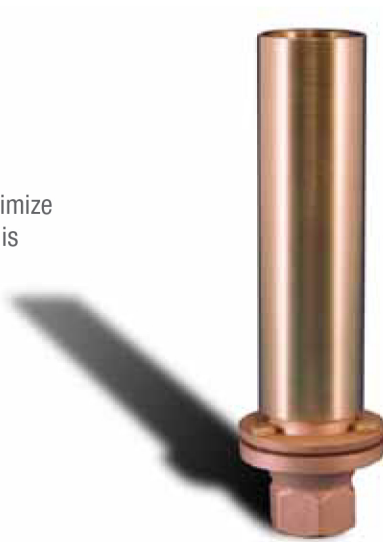
## Performance Characteristics:

The Foam Jet is a water level independent effect. To minimize clogging potential, an in-line Y-strainer with a #20 mesh is recommended.

- Water Level Dependent - No
- Wind Resistance - Good
- Sound Level - Moderate
- Clogging Potential - Moderate
- Splash Radius - 1.0

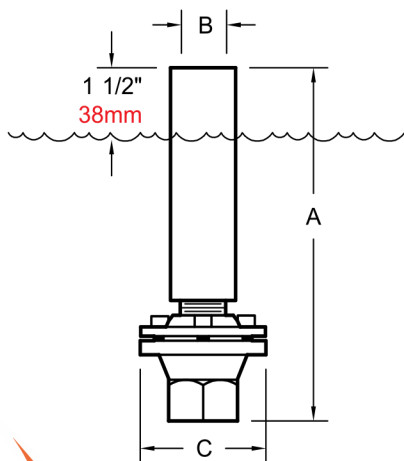
Material: Machined brass and cast bronze

Finish: Natural brass and bronze



## Detail:

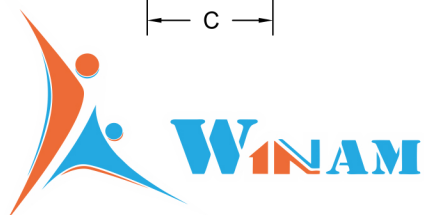
Model Number	Feet Meters	1 .30	2 .61	3 .91	4 1.22	5 1.52	6 1.83	8 2.44	10 3.05	12 3.66
EAF-100X	GPM (LPM)	7 (27)	9 (35)	11 (42)	12 (46)					
	Head Ft. (Bar)	3 (.090)	5 (.150)	7 (.209)	10 (.299)					
EAF-150X	GPM (LPM)	13 (50)	20 (76)	26 (99)	29 (110)	31 (118)	36 (137)			
	Head Ft. (Bar)	3 (.090)	6 (.179)	10 (.299)	13 (.389)	15 (.448)	19 (.568)			
EAF-200X	GPM (LPM)	21 (80)	31 (118)	36 (137)	44 (167)	50 (190)	53 (201)	56 (212)		
	Head Ft. (Bar)	3 (.090)	6 (.179)	9 (.269)	12 (.359)	14 (.419)	18 (.538)	21 (.628)		
EAF-300X	GPM (LPM)	39 (148)	59 (148)	66 (148)	77 (511)	88 (564)	96 (614)	112 (648)	127 (682)	138 (148)
	Head Ft. (Bar)	3 (.090)	6 (.179)	8 (.239)	11 (.329)	13 (.389)	16 (.478)	20 (.598)	27 (.807)	33 (.986)



## Dimensions

Model Number	NPT	Inches (mm)		
		A	B	C
EAF-100X	½"	8 (203)	1 (25)	2¾ (70)
EAF-150X	¾"	10 (254)	1¾ (44)	3½ (89)
EAF-200X	1"	10¼ (260)	2¼ (57)	4½ (114)
EAF-300X	1½"	13¼ (337)	3¼ (83)	6¼ (159)

*Highlighted sections indicate optimum performance*



**WINAM CONSTRUCTION CORP**

www.winamgroup.com

info@winamgroup.com

Catalog #	
Details	
Project	
Prepared by	
Date	