

# Foam Jet in a Can™

The Foam Jet in a Can™ creates a full frothy stream of water.

## Construction:

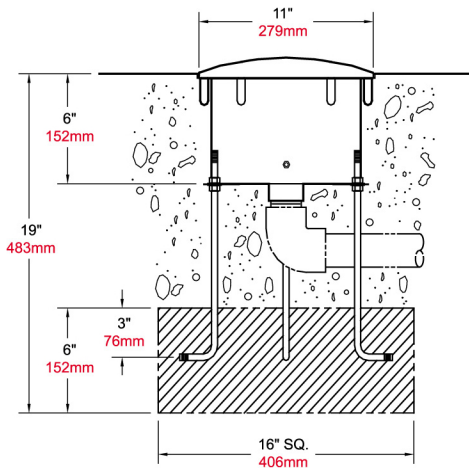
Single piece, type 304 deep-drawn stainless steel housing with a 1½" FPT inlet and grounding connection, cast bronze top cover, EPDM 70 durometer o-ring, and 18/8 stainless steel fasteners. Unit is supplied with a high density polyethylene (HDPE) construction cover, three 3/8" x 12" x 2" stainless steel anchor bolts with leveling nuts and washers, and a wood template.

## Nozzle:

Precision machined brass, cast bronze, or copper.

## Finish:

Standard finish is Natural Bronze. Optional finishes - Dark Bronze (DB), or Verde Green (VG). Contact factory for custom finishes.



## Data:

Model Number	Top Diameter	Inlet FPT	Feet Meters	1	2	3	4	5	6
FIC-F1100	11" (279 mm)	1½"	GPM (LPM)	13 (50)	20 (76)	26 (99)	29 (110)	31 (118)	36 (137)
			Head Ft. (Bar)	3 (.09)	6 (.18)	10 (.30)	13 (.39)	15 (.45)	19 (.57)



**WINAM CONSTRUCTION CORP**

www.winamgroup.com  
info@winamgroup.com

Catalog #

Details

Project

Prepared by

Date