

Finger Jet

Water Effect:

Creates a fan shaped spray of solid streams of water.

Performance Characteristics:

The Finger Jet has an integral adjustment swivel and uses multiple precision jets. An in-line Y-strainer is recommended to reduce maintenance.

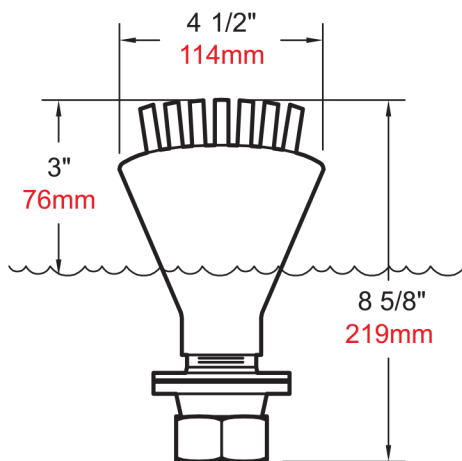
- Water Level Dependent - No
- Wind Resistance - Fair
- Sound Level - Moderate
- Clogging Potential - Moderate
- Splash Radius - 1.5

Material: Machined cast bronze and brass
Finish: Natural bronze and brass



Detail:

Model Number	NPT	Degrees Above Horizontal	Throw Ft. (m)	Rise Ft. (m)	Spread Ft.. (m)	GPM (LPM)	Head Ft. (Bar)
N-77	1 1/4"	45	5 (1.5)	2 (.61)	4 (1.22)	20 (76)	5 (.150)
			10 (3.1)	3 (.91)	7 (2.1)	25 (95)	10 (.299)
			15 (4.6)	4 (1.22)	10 (3.1)	30 (114)	15 (.449)



WINAM CONSTRUCTION CORP

www.winamgroup.com
info@winamgroup.com

Catalog #	
Details	
Project	
Prepared by	
Date	