

FWD-()B

Wall Mounted Overflow Fitting

Product Description:

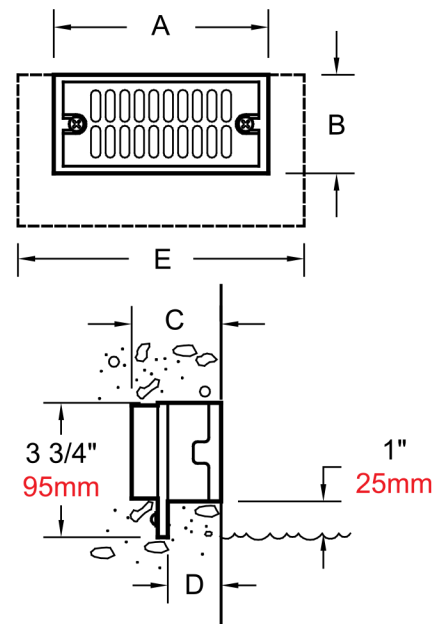
All brass with natural finish. Large full-face removable strainer. Integral waterstop flange with ground screw. 2" FPT connection.



Data:

Model Number	Inches					Millimeters				
	A	B	C	D	E	A	B	C	D	E
FWD-200B	6	2¼	2½	1½	8	152	70	67	38	203
FWD-200SB	9¼	1½	3⅝	2	11¼	235	38	79	51	292

Dimensions:



WINAM CONSTRUCTION CORP

www.winamgroup.com
info@winamgroup.com

Catalog #	
Details	
Project	
Prepared by	
Date	