

FSK-150J

Front Access Skimmer

Product Description:

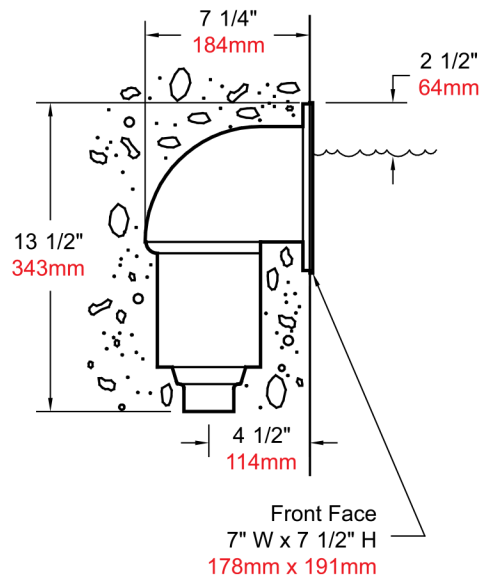
Designed for pools with thinner walls. Heavy-duty ABS construction. Floating weir with removable trash basket. Cast bronze face plate with natural finish.



Data:

Model Number	NPT	Minimum Flow Rate		Maximum Flow Rate	
		GPM	LPM	GPM	LPM
FSK-150J	1½"	10	38	30	114

Dimensions:



WINAM CONSTRUCTION CORP

www.winamgroup.com
info@winamgroup.com

Catalog #	
Details	
Project	
Prepared by	
Date	