

FSD-()

Overflow Standpipe Drain

Product Description:

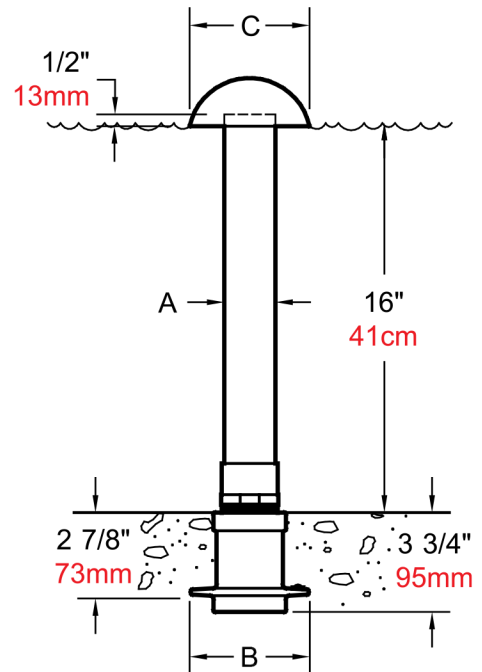
Cast bronze body with integral waterstop flange and ground screw. Cast bronze cap and copper standpipe in natural finish. Threaded connection. Available in British Standard Pipe Threads, add-BSP to catalog number.



Data:

Model Number	NPT	Inches			Millimeters		
		A	B	C	A	B	C
FSD-150	1½"	1 ⅝"	5	2¾	41	127	70
FSD-200	2"	2 ⅛"	7	5	54	127	127
FSD-300	3"	3 ⅛"	7	5	79	178	127

Dimensions:



WINAM CONSTRUCTION CORP

www.winamgroup.com
info@winamgroup.com

Catalog #	
Details	
Project	
Prepared by	
Date	