

FRS-07

Anti-Vortex Plate and Sump

Product Description:

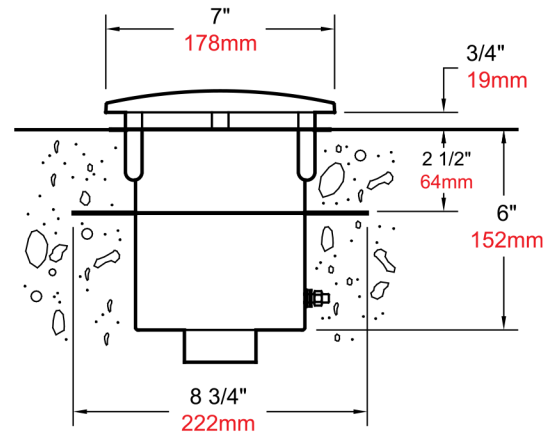
Cast bronze plate with natural finish. Deep drawn stainless steel sump with integral waterstop, ground screw, and 1 1/2" FPT threaded bottom connection. Stainless steel fasteners. To delete waterstop, add suffix -L to catalog number. Maximum flow rates are based on 16"/41cm water depth.



Data:

Model Number	NPT	Suction GPM	Discharge GPM	Suction LPM	Discharge LPM
FRS-07	1 1/2"	40	50	151	189

Dimensions:



WINAM CONSTRUCTION CORP

www.winamgroup.com
info@winamgroup.com

Catalog #	
Details	
Project	
Prepared by	
Date	