

FR-43N-RG

Underwater Wet Niche

116 Watts, 120 Volts

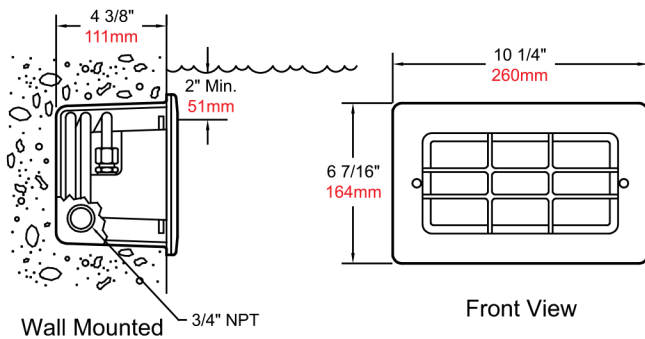
Product Description:

This Underwater Wet Niche 120 Volt fixture is a cast bronze light designed for energy consumption up to 116 Watts. This Wall or Floor Mounted light is UL listed for underwater applications, and is supplied with an integral thermal cutoff device.



Detail:

Model Number	UL Max. Wattage Rating	Lamp Type	Watts	Volts	Lamp Life (Hours)
FR-43N-RG	116	A21	116	120	8000



Specification:

Fixture Body:	Cast bronze with brass cord compression seal.
Rock Guard:	Cast bronze, integral to face ring.
Wet Niche:	Cast bronze with grounding lug and conduit hub.
Reflector:	Stainless steel.
Cord:	Furnished with twenty feet of 16-3 Type STOW submersible cord; entry is totally encapsulated in an epoxy compound.
Socket:	Porcelain medium screw base.
Gaskets:	High temperature, single piece, molded neoprene.
Lens:	Diffused, flat, high temperature and tempered glass.
Lamp:	Per chart. Supplied separately, add suffix -LP to catalog number to include lamp.
Safety:	Underwriters Laboratories Listed for underwater application. Supplied with an integral thermal cutoff device.



WINAM CONSTRUCTION CORP

www.winamgroup.com
info@winamgroup.com

Catalog #	
Details	
Project	
Prepared by	
Date	