

FEW-200

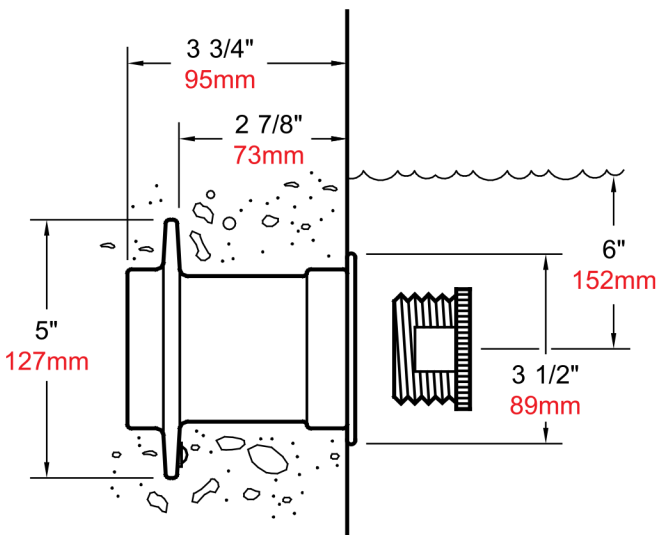
Drain-Down Fitting with Plug

Product Description:

Designed to allow easy drainage of basins that are difficult to access. Cast bronze body with natural finish. Integral waterstop flange with ground screw. Removable plug with neoprene gasket. Available with British Standard Pipe Threads, add -BSP to catalog number.



Dimensions:



WINAM CONSTRUCTION CORP

www.winamgroup.com
info@winamgroup.com

Catalog #	
Details	
Project	
Prepared by	
Date	