

# FEC-200A

## Sweep Eyeball Inlet Fitting

### Product Description:

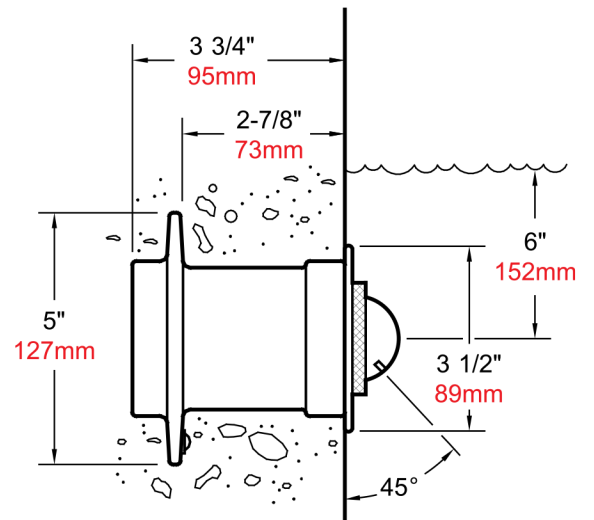
Designed to sweep pool floor of debris. Cast bronze with natural finish. Integral waterstop with ground screw. Available with British Standard Pipe Threads, add -BSP to catalog number.



### Data:

Model Number	NPT	Minimum Flow Rate		Maximum Flow Rate	
		GPM	LPM	GPM	LPM
FEC-200A	2"	5	19	15	57

### Dimensions:



**WINAM CONSTRUCTION CORP**

www.winamgroup.com  
info@winamgroup.com

Catalog #	
Details	
Project	
Prepared by	
Date	