

FAD-()

Adjustable Diverter Fitting

Product Description:

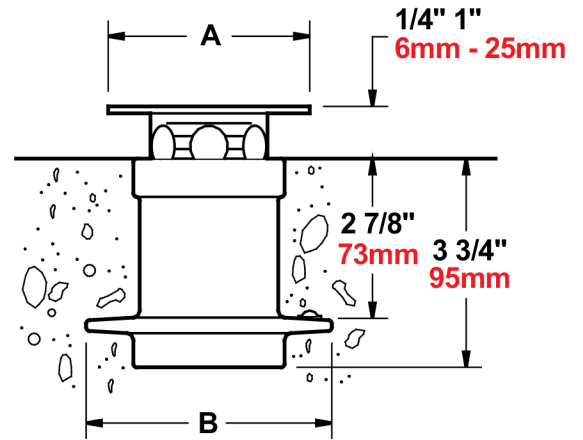
The FAD fitting is a cast bronze body with integral water-stop flange and ground screws. Adjustable brass threaded top plate flow control assembly. Available with British Standard Pipe Threads, add -BSP to catalog number. Maximum flow rates are based on 16"/41cm water depth.



Data:

Model Number	NPT	Inches		Millimeters		Maximum Flow Rate	
		A	B	A	B	GPM	LPM
FAD-150	1 1/2"	3	5	76	127	30	114
FAD-200	2"	4	5	102	127	60	227
FAD-300	3"	6	7	152	178	120	454
FAD-400	4"	8	7	203	178	160	606

Dimensions:



WINAM CONSTRUCTION CORP

www.winamgroup.com
info@winamgroup.com

Catalog #	
Details	
Project	
Prepared by	
Date	