

Erupter™

Water Effect:

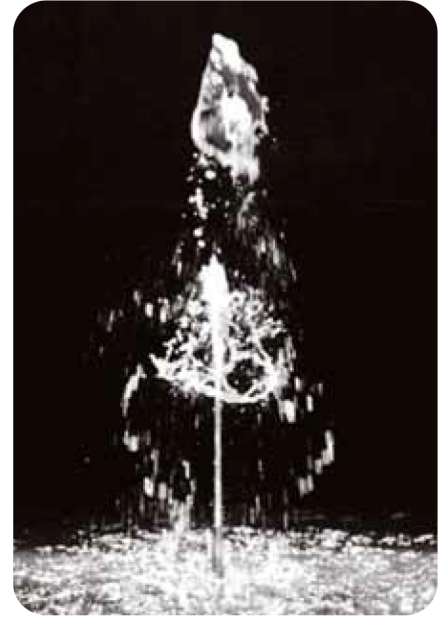
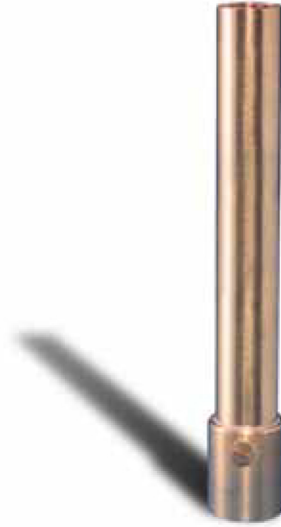
Creates a unique surging splash effect.

Performance Characteristics:

The Erupter™ has a horizontal splash component caused by its surge action. Allow sufficient area to capture splash. An optional swivel is recommended to ensure proper alignment (see pg. 35).

- Water Level Dependent - No
- Wind Resistance - Fair to Good
- Sound Level - Moderate
- Clogging Potential - Low
- Splash Radius - 2.0

Material: Machined brass
Finish: Natural brass



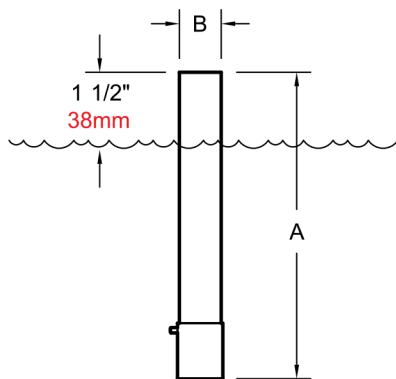
Detail:

Specifications:

Model Number	Feet Meters	2 .61	3 .91	4 1.22	5 1.52	6 1.83	8 2.44	10 3.05	15 4.57
EAE-075	GPM (LPM)	4.5 (18)	5.5 (21)	6.5 (25)	7.5 (29)	8.5 (33)	9.5 (36)		
	Head Ft. (Bar)	1 (.030)	2 (.060)	3.5 (.105)	4.5 (.135)	6 (.179)	8 (.239)		
EAE-100	GPM (LPM)				11 (42)	13 (50)	15 (57)	17 (65)	21 (80)
	Head Ft. (Bar)				4.5 (.135)	6 (.179)	8 (.239)	10.5 (.314)	14 (.419)

Dimensions

Model Number	NPT	Inches (mm)	
		A	B
EAE-075	¾"	8 (203)	1 (25)
EAE-100	1"	11 (279)	1½ (38)



Highlighted sections indicate optimum performance



WINAM CONSTRUCTION CORP

www.winamgroup.com
info@winamgroup.com

Catalog #	
Details	
Project	
Prepared by	
Date	