

# Dominator™

## Water Effect:

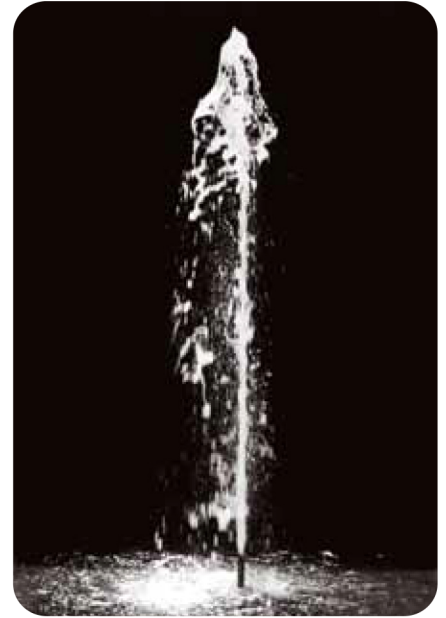
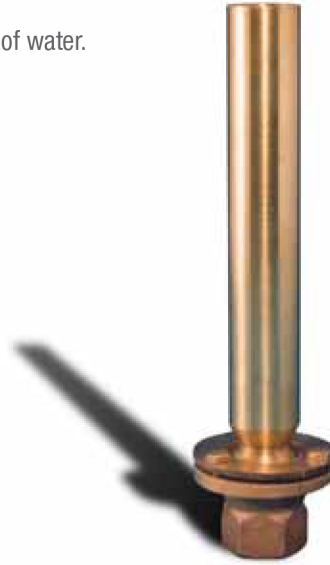
The unique Dominator™ nozzle creates an aerated stream of water.

## Performance Characteristics:

The Dominator™ is a water level independent effect.

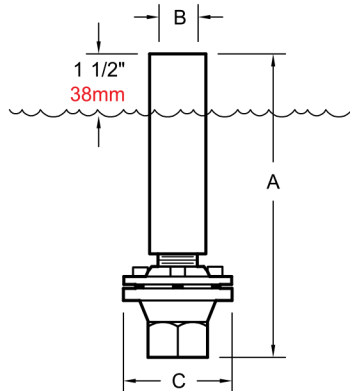
- Water Level Dependent - No
- Wind Resistance - Good
- Sound Level - Moderate
- Clogging Potential - Low
- Splash Radius - 1.0

Material: Machined brass and cast bronze  
Finish: Natural brass and bronze



## Detail:

Model Number	Feet Meters	3 .91	4 1.22	5 1.52	6 1.83	8 2.44	10 3.05	15 4.57	20 6.10	25 7.62
EAD-075	GPM (LPM)	7 (27)	8 (31)	9 (35)	10 (38)	12 (46)	15 (57)			
	Head Ft. (Bar)	4.5 (.135)	7 (.209)	8 (.239)	10.5 (.314)	14 (.419)	17.5 (.523)			
EAD-100	GPM (LPM)	11 (42)	14 (53)	17 (65)	20 (76)	25 (95)	30 (114)	38 (144)	46 (175)	
	Head Ft. (Bar)	4.5 (.135)	6 (.179)	8 (.239)	10.5 (.314)	14 (.419)	18.5 (.553)	30 (.897)	41.5 (1.24)	
EAD-150	GPM (LPM)		40 (152)	45 (171)	50 (190)	58 (220)	67 (254)	80 (303)	95 (360)	106 (402)
	Head Ft. (Bar)		6 (.179)	8 (.239)	9 (.269)	11.5 (.344)	16 (.478)	24.5 (.732)	32 (.957)	44 (1.32)



## Dimensions

Model Number	NPT	Inches (mm)		
		A	B	C
EAD-075	3/4"	9 (229)	7/8 (22)	2 3/4 (70)
EAD-100	1"	10 1/2 (267)	1 1/4 (32)	2 3/4 (70)
EAD-150	1 1/2"	14 3/4 (375)	1 5/8 (41)	3 5/8 (92)

*Highlighted sections indicate optimum performance*



**WINAM CONSTRUCTION CORP**

www.winamgroup.com  
info@winamgroup.com

Catalog #	
Details	
Project	
Prepared by	
Date	