

Chandelier™

Water Effect:

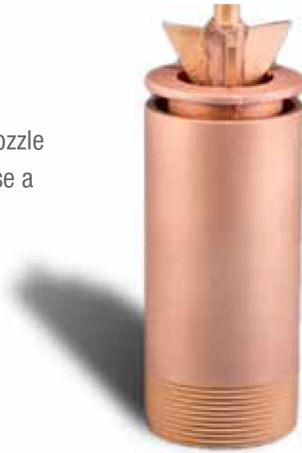
Creates an ellipsoidal sphere of water droplets.

Performance Characteristics:

The Chandelier™ is a water level dependent effect that requires a constant water level for proper operation. This nozzle is subject to wind. Allow extra area to capture splash or use a wind control device (see pg. 87).

- Water Level Dependent - Yes
- Wind Resistance - Poor
- Sound Level - Moderate
- Clogging Potential - Low
- Splash Radius - 2.0

Material: Machined cast bronze and brass
Finish: Natural bronze and brass

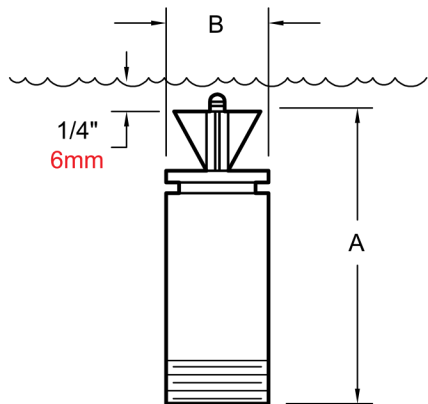


Detail:

Model Number	Feet Meters	2 .61	3 .91	4 1.22	5 1.52	6 1.83	7 2.13	8 2.44
NC-200	GPM (LPM)	65 (246)	75 (284)	90 (341)	100 (379)	110 (417)	115 (436)	125 (473)
	Head Ft. (Bar)	3 (.090)	4 (.120)	6 (.179)	7 (.209)	8 (.239)	9 (.269)	11 (.329)
	Spread - Ft. (M)	4 (1.22)	6 (1.83)	8 (2.44)	9 (2.74)	10 (3.05)	11 (3.35)	12 (3.66)

Dimensions

Model Number	NPT	Inches (mm)	
		A	B
NC-200	2"	7 (178)	2 3/4 (60)



Highlighted sections indicate optimum performance



WINAM CONSTRUCTION CORP

www.winamgroup.com
info@winamgroup.com

Catalog #	
Details	
Project	
Prepared by	
Date	