

Cascade

Water Effect:

Creates a highly aerated cone of water.

Performance Characteristics:

The Cascade is a water level dependent effect that is subject to creating wave action in a pool. When used in smaller or symmetrical pools, a wave baffle is recommended (see pg. 82).

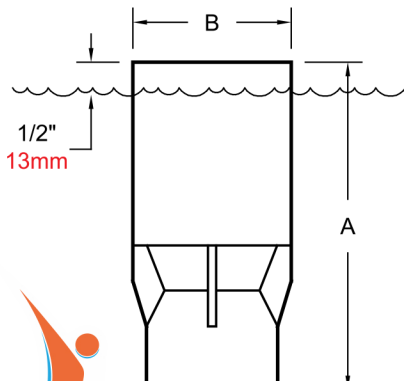
- Water Level Dependent - Yes
- Wind Resistance - Very Good
- Sound Level - High
- Clogging Potential - Low
- Splash Radius - 1.5

Material: Machined brass
Finish: Natural brass



Detail:

Model Number	Feet Meters	1 .30	2 .61	4 1.22	6 1.83	8 2.44	10 3.01	15 4.57	20 6.10	25 7.62
EAC-100B	GPM (LPM)	15 (57)	21 (80)	29 (110)	37 (140)					
	Head Ft. (Bar)	12 (.359)	21 (.628)	35 (1.05)	51 (1.52)					
	Spread - Ft. (M)	.75 (.23)	1 (.30)	2 (.61)	3 (.91)					
EAC-150B	GPM (LPM)			48 (186)	60 (227)	65 (246)	70 (265)			
	Head Ft. (Bar)			36 (1.08)	55 (1.64)	62 (1.85)	71 (2.12)			
	Spread - Ft. (M)			2 (.61)	3 (.91)	4 (1.22)	4.5 (1.37)			
EAC-200B	GPM (LPM)			70 (265)	74 (280)	80 (303)	88 (333)	100 (379)		
	Head Ft. (Bar)			21 (.628)	29 (.867)	37 (1.11)	45 (1.35)	55 (1.64)		
	Spread - Ft. (M)			2 (.61)	2.5 (.76)	3 (.91)	3.5 (1.07)	4.5 (1.37)		
EAC-300B	GPM (LPM)			110 (417)	127 (481)	142 (538)	162 (614)	190 (720)	220 (833)	240 (909)
	Head Ft. (Bar)			14 (.418)	19 (.568)	28 (.837)	37 (1.11)	53 (1.58)	72 (2.15)	80 (2.39)
	Spread - Ft. (M)			2.5 (.76)	2.75 (.84)	3 (.91)	3.5 (1.07)	5 (1.52)	8 (2.44)	11 (3.35)



WINAM CONSTRUCTION CORP

www.winamgroup.com
info@winamgroup.com

Dimensions

Model Number	NPT	Inches (mm)	
		A	B
EAC-100B	1"	6 (152)	2¼ (57)
EAC-150B	1½"	7 (178)	3 (76)
EAC-200B	2"	8 (203)	4¼ (108)
EAC-300B	3"	9 (229)	5 (127)

Highlighted sections indicate optimum performance

Catalog #	
Details	
Project	
Prepared by	
Date	