

# CWS-075

## Wind Speed Sensor

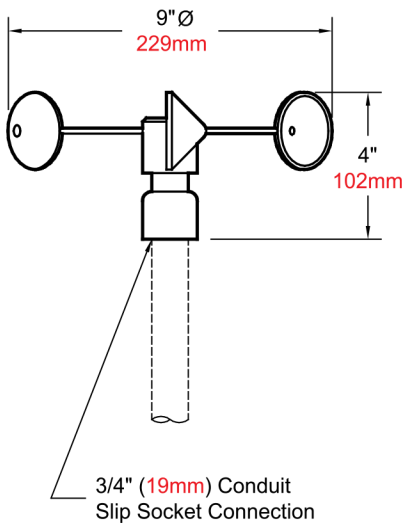
The CWS-075 is designed for use with both the CPL-3000T Fountain Control Panel and the multi-function CWW-002 Control System.

- Rotating cup type anemometer.
- Aluminum construction with stainless steel bearings and an integral 30 foot cable.
- Rated for 100 MPH wind speed with a 1 MPH starting threshold.
- Adapts to 3/4" PVC conduit.

Note: Anemometer should be mounted in an area which experiences the same wind conditions as the water feature.



## Dimensions:



**WINAM CONSTRUCTION CORP**

www.winamgroup.com  
info@winamgroup.com

Catalog #	
Details	
Project	
Prepared by	
Date	