

# CWL-002WD

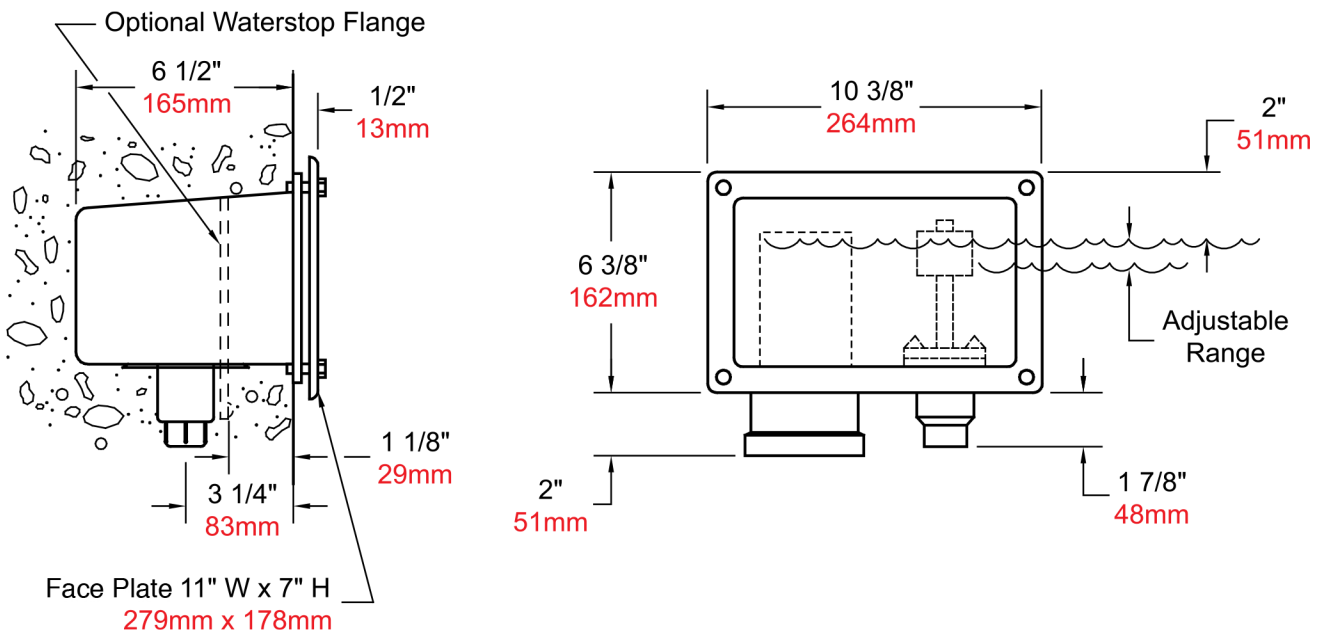
## Wall Mounted Overflow and Sensor Housing

The flush wall mounted CWL-002WD combines a sensor mounting housing with an adjustable overflow drain fitting.

- Cast bronze housing with  $\frac{1}{2}$ " threaded conduit connection and 3" FPT drain outlet.
- Cast bronze face plate.
- Adjustable internal overflow standpipe
- Sensor adjustment range is  $\frac{1}{2}$ " for dual and  $1\frac{1}{2}$ " for single function probes.
- For optional integral waterstop flange, add suffix -WS to catalog number.



## Dimensions:



**WINAM CONSTRUCTION CORP**

www.winamgroup.com  
info@winamgroup.com

Catalog #

Details

Project

Prepared by

Date

V1.3