

Arch Jet

Water Effect:

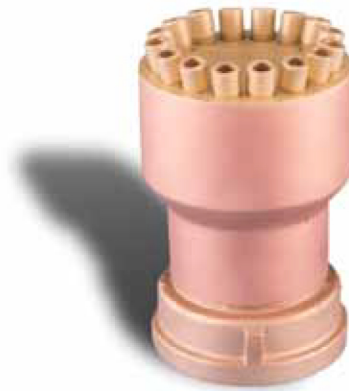
Creates an outward arching circle of solid stream jets.

Performance Characteristics:

The Arch Jet uses multiple solid stream nozzles grouped to create its effect. An in-line Y-strainer is recommended to reduce maintenance.

- Water Level Dependent - No
- Wind Resistance - Fair
- Sound Level - Moderate
- Clogging Potential - Moderate
- Splash Radius - 2.0

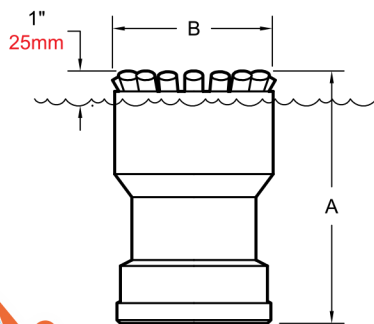
Material: Machined cast bronze and brass
Finish: Natural bronze and brass



Detail:

Specifications:

Model Number	Feet Meters	2 .61	4 1.22	6 1.83	8 2.44	10 3.05	15 4.57	20 6.10	25 7.62
EPA-100	GPM (LPM)	8 (31)	12 (46)	16 (61)					
	Head Ft. (Bar)	3 (.090)	5 (.150)	7 (.209)					
	Spread Ft. (M)	4 (1.22)	8 (2.44)	12 (3.66)					
EPA-150	GPM (LPM)		18 (69)	24 (91)	27 (103)	32 (122)			
	Head Ft. (Bar)		5 (.150)	7 (.209)	10 (.299)	13 (.389)			
	Spread Ft. (M)		8 (2.44)	12 (3.66)	16 (4.88)	20 (6.10)			
EPA-200	GPM (LPM)			31 (118)	36 (137)	42 (159)	56 (212)	72 (273)	
	Head Ft. (Bar)			7 (.209)	10 (.299)	13 (.389)	21 (.628)	30 (.897)	
	Spread Ft. (M)			12 (3.66)	16 (4.88)	20 (6.10)	30 (9.14)	40 (12.2)	
EPA-300	GPM (LPM)				99 (375)	116 (440)	154 (583)	198 (750)	249 (943)
	Head Ft. (Bar)				10 (.299)	13 (.389)	21 (.628)	30 (.897)	42 (1.26)
	Spread Ft. (M)				16 (4.88)	20 (6.10)	30 (9.14)	40 (12.2)	50 (15.2)



Dimensions

Model Number	NPT	Orifice		Inches (mm)	
		Qty	Inches (mm)	A	B
EPA-100	1"	8	.187 (4.8)	4 (102)	2¼ (57)
EPA-150	1½"	12	.156 (4)	6 (152)	3 (76)
EPA-200	2"	16	.203 (5.8)	6½ (165)	4¼ (108)
EPA-300	3"	16	.375 (9.5)	7 (178)	4¼ (108)

Highlighted sections indicate optimum performance

Catalog #	
Details	
Project	
Prepared by	
Date	



WINAM CONSTRUCTION CORP

www.winamgroup.com
info@winamgroup.com