

Aerated Pod

Water Effect:

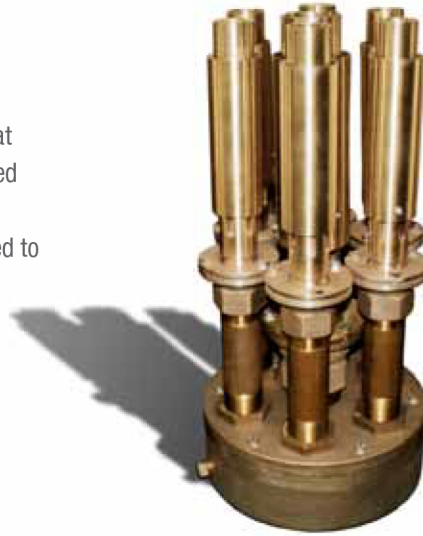
Creates a highly aerated geyser of water.

Performance Characteristics:

The Aerated Pod is a water level dependent effect that is subject to creating wave action in a pool. When used in smaller and symmetrical areas, a wave baffle is recommended (see pg. 82). Outer nozzles can be used to create a large "fleur-de-lis" effect.

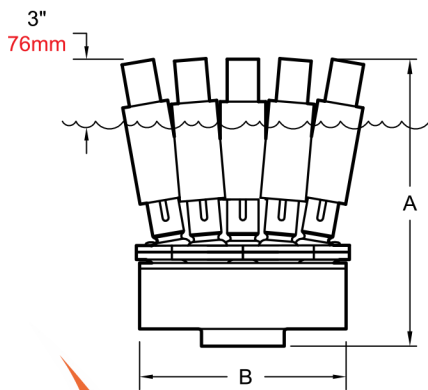
- Water Level Dependent - Yes
- Wind Resistance - Good
- Sound Level - High
- Clogging Potential - Low
- Splash Radius - 1.5 to 2.0

Material: Machined brass and cast bronze
Finish: Natural brass and bronze



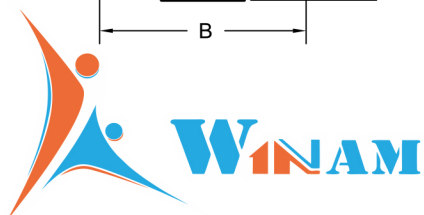
Detail:

Model Number	Feet Meters	10 3.01	20 6.10	30 9.14	40 12.2	50 15.2	60 18.3
N-355	GPM (LPM)	164 (621)	215 (814)	260 (985)	285 (1,079)	315 (1,193)	
	Head Ft. (Bar)	35 (1.05)	56 (1.67)	82 (2.45)	120 (3.59)	140 (4.19)	
	Spread Ft. (M)	20 (6.10)	28 (8.53)	35 (10.7)	40 (12.2)	44 (13.4)	
N-360	GPM (LPM)	728 (2,756)	952 (3,604)	1099 (4,161)	1155 (4,373)	1211 (4,585)	1302 (4,929)
	Head Ft. (Bar)	30 (.897)	45 (1.35)	62 (1.85)	70 (2.09)	80 (2.39)	105 (3.14)
	Spread Ft. (M)	10 (3.05)	20 (6.10)	30 (9.14)	33 (10.1)	35 (10.7)	40 (12.2)
N-365	GPM (LPM)	73 (947)	105 (398)	115 (436)	125 (474)	140 (530)	150 (568)
	Head Ft. (Bar)	30 (.897)	45 (1.35)	62 (1.85)	80 (2.39)	105 (3.14)	135 (4.04)
	Spread Ft. (M)	10 (3.05)	20 (6.10)	30 (9.14)	35 (10.7)	40 (12.2)	45 (13.7)



Model Number	NPT	Qty. Nozzles	Inches (mm)	
			A	B
N-355	4"	7	20½ (521)	10 (254)
N-360	6"	7	25½ (648)	18 (457)
N-365	6"	17	25½ (648)	18 (457)

Highlighted sections indicate optimum performance



WINAM CONSTRUCTION CORP

www.winamgroup.com
info@winamgroup.com

Catalog #	
Details	
Project	
Prepared by	
Date	