

Smooth Bore

Water Effect:

Creates a solid stream water effect with integral angular adjustability.

Performance Characteristics:

The Adjustable Smooth Bore effect is a clear stream of water at lower pressures and heights and becomes more striated as pressure and height increase.

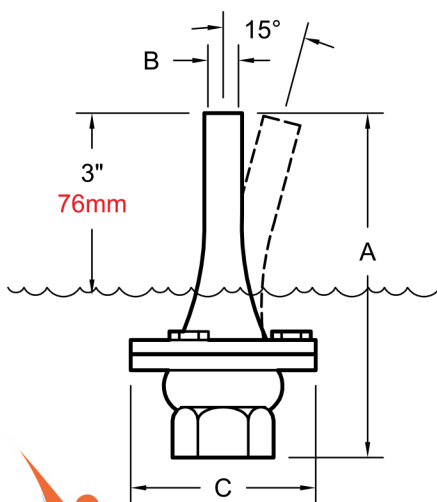
- Water Level Dependent - No
- Wind Resistance - Very Good
- Sound Level - Moderate
- Clogging Potential - Low
- Splash Radius - 1.0

Material: Machined cast bronze
Finish: Natural bronze



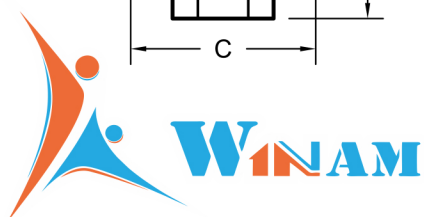
Detail:

Model Number	Feet Meters	5 1.52	10 3.05	15 4.57	20 6.10	25 7.62	30 9.14	40 12.2	60 18.3
N-120	GPM (LPM)	7 (27)	12 (46)	15 (57)	19 (72)				
	Head Ft. (Bar)	8 (.239)	14 (.419)	20 (.598)	27 (.807)				
N-121	GPM (LPM)	20 (76)	28 (106)	38 (144)	44 (167)	50 (190)	58 (220)		
	Head Ft. (Bar)	8 (.239)	14 (.419)	20 (.598)	27 (.807)	35 (1.05)	42 (1.26)		
N-122	GPM (LPM)	38 (144)	52 (197)	68 (258)	80 (303)	92 (349)	102 (387)	120 (455)	
	Head Ft. (Bar)	8 (.239)	14 (.419)	20 (.598)	27 (.807)	35 (1.05)	42 (1.26)	55 (1.64)	
N-123	GPM (LPM)	63 (239)	92 (349)	115 (436)	130 (493)	145 (549)	160 (606)	188 (712)	235 (890)
	Head Ft. (Bar)	8 (.239)	14 (.419)	20 (.598)	27 (.807)	35 (1.05)	42 (1.26)	55 (1.64)	82 (2.45)



Model Number	NPT	Dimensions		
		Inches (mm)		
		A	B	C
N-120	1"	5½ (114)	¾ (86)	2¾ (114)
N-121	1½"	6¼ (152)	⅝ (105)	3⅝ (114)
N-122	2"	7½ (114)	⅞ (114)	4½ (114)
N-123	3"	12½ (114)	1⅝ (114)	6⅝ (114)

Highlighted sections indicate optimum performance



WINAM CONSTRUCTION CORP

www.winamgroup.com
info@winamgroup.com

Catalog #	
Details	
Project	
Prepared by	
Date	