

Advustable Precision Pod

Water Effect:

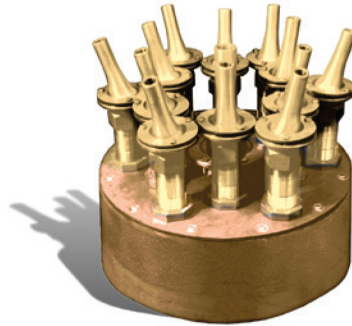
Creates a full column of geyser water.

Performance Characteristics:

The Adjustable Precision Pod uses multiple solid stream nozzles to create a more massive effect. Outer nozzles may be adjusted to create a large "fleur-de-lis" effect.

- Water Level Dependent - No
- Wind Resistance - Very Good
- Sound Level - High
- Clogging Potential - Low to Moderate
- Splash Radius - 1.0 to 2.0

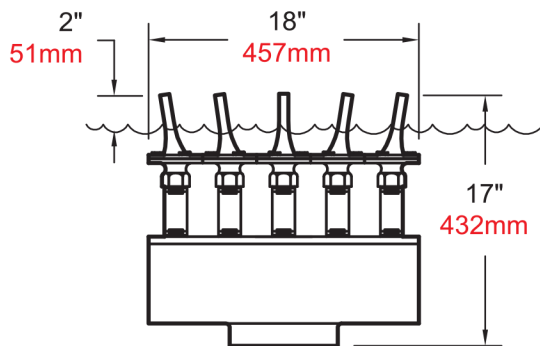
Material: Machined brass and cast bronze
Finish: Natural brass and bronze



Detail:

Model Number	Feet Meters	10 3.05	20 6.10	30 9.14	40 12.2	50 15.2	60 18.3
N-370	GPM (LPM)	300 (1,136)	540 (2,045)	716 (2,711)	842 (3,188)	980 (3,710)	1180 (4,467)
	Head Ft. (Bar)	14 (.419)	28 (.837)	40 (1.20)	53 (1.58)	67 (2.00)	80 (2.39)
	Spread Ft. (M)	5 (1.52)	14 (4.27)	20 (6.10)	27 (8.23)	30 (9.14)	37 (11.3)

Dimensions				
Model Number	NPT	Qty. Nozzles	Inches (mm)	
			A	B
NP-370	6"	13	17 (432)	18 (457)



Highlighted sections indicate optimum performance



WINAM CONSTRUCTION CORP

www.winamgroup.com
info@winamgroup.com

Catalog #	
Details	
Project	
Prepared by	
Date	